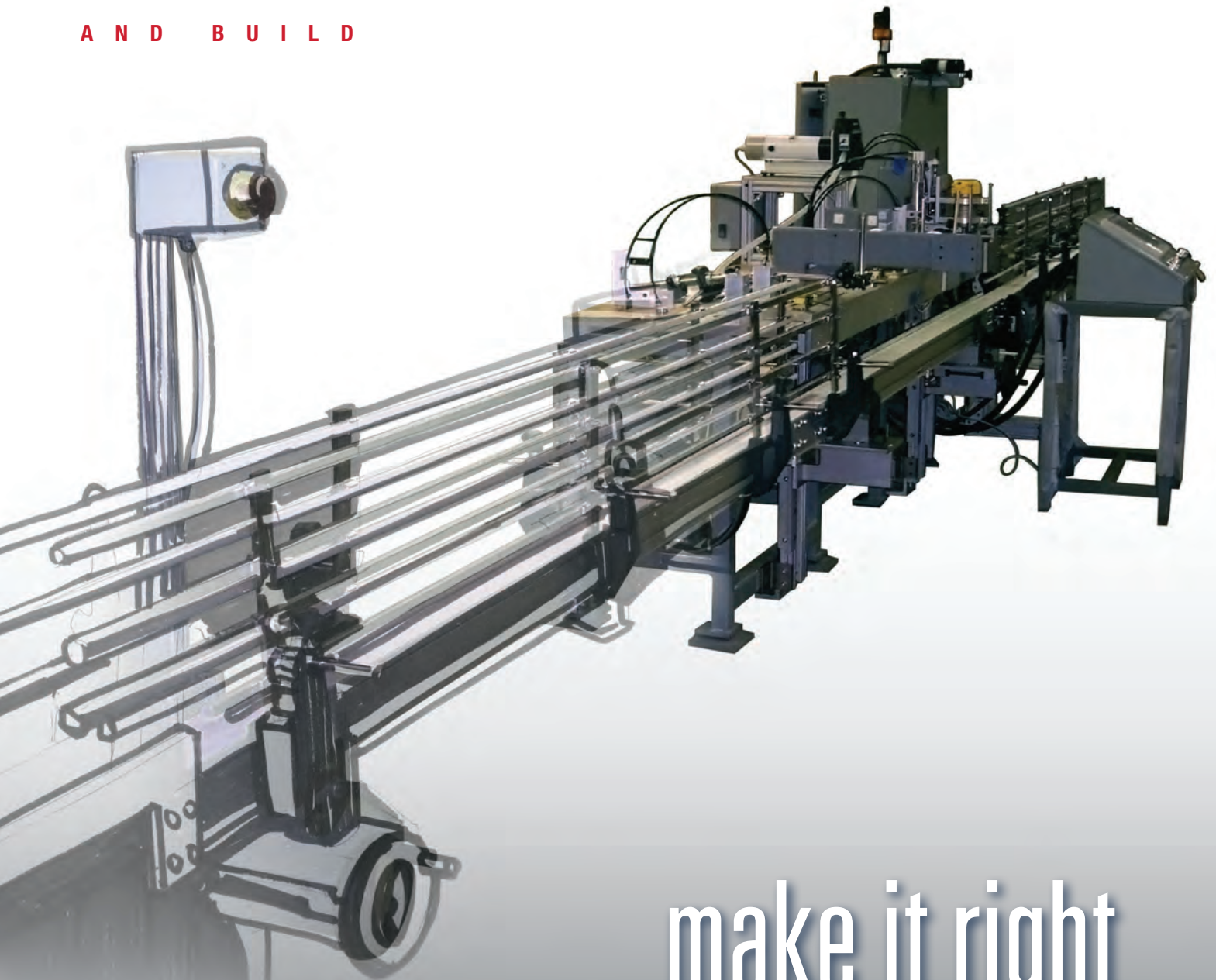


Solid

design solutions

M A C H I N E D E S I G N
A N D B U I L D

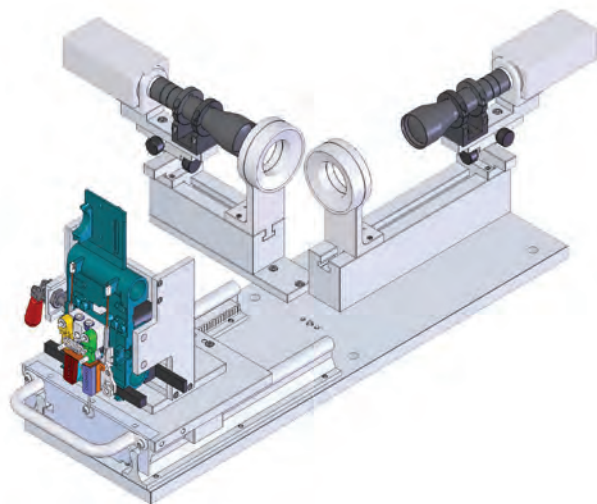


make it right

Increase manufacturing speed,
improve reliability, and reduce costs

Solid

design solutions



Increase speed and quality, reduce costs

Producing a product is one thing, producing it at scale, at speed, yielding profits, is another. At Solid, we have over 17 years of experience in helping industry leaders such as 3M, Medtronic, and Thermo Fisher Scientific lower production costs, increase product quality, and reduce downtime with a wide variety of machine design and process solutions.

Our proven end-to-end development process can lead the way, with a rock-solid roadmap that mitigates risk while focusing resources on your project objectives: machine design and process improvement.

SOLID capabilities

Web Handling

- Adhesives films
- Plastic, paper and foams
- Rotary die cutting
- Heat sealing
- Kiss cutting
- Converting, slitting and rewinds

Clean Room Systems

- Assembly
- Inspection

Controls

- Manual
- Electronics
- PLC
- Pneumatic

Material Handling

- Fill and seal
- Component inspection
- Assembly
- Case packing
- Stacking
- Sub-assembly transport
- Converting

Semi-automated assembly fixtures

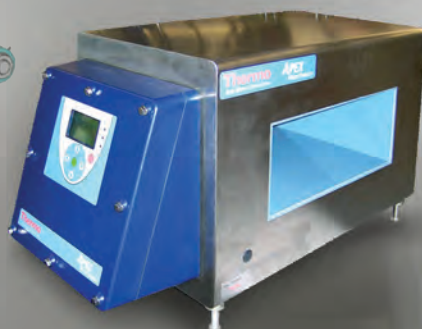
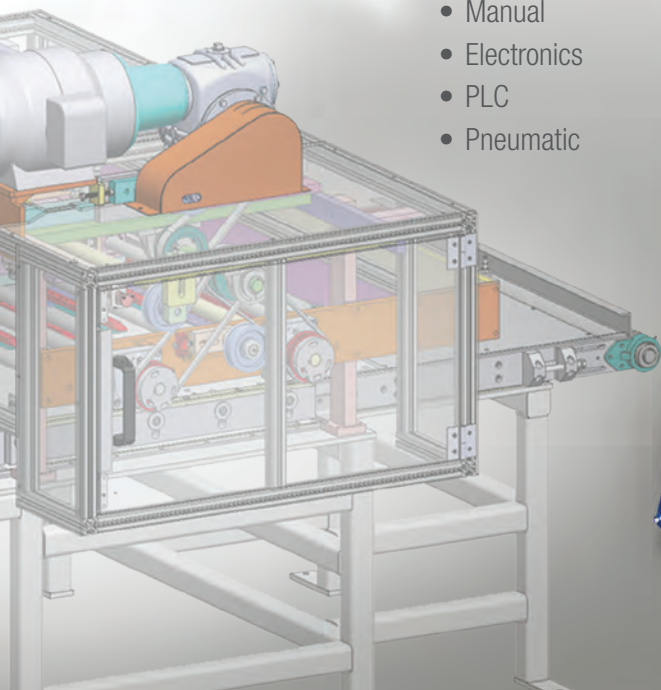
- Operator-assisted assembly
- Operator load/unload

Food Handling and Processing Equipment

- FDA and 3-A Dairy requirements
- Packaging and sealing
- Metal detection

Testing Equipment

- Design validation testing
- In process testing
- Cycle testing
- HALT testing
- Circuit testing



Scale up operations to reach new goals

Whether you have a boutique production operation or an entire assembly line, whether you have clean room conditions or OSHA compliance concerns, Solid has the talent and resources you need to develop efficient, economical, and worry-free machine solutions for a wide variety of applications. We integrate mechanics and electronics with automation, best practices, and a meticulous attention to detail, optimizing your machines and processes to meet the demands of your market and your supply chain.

Our continuous focus, transparent reporting, responsive communication, and on-time, on-budget delivery mean you don't have to guess about success.

Get to market and profits – faster

Our engineers and machine designers are experienced in material handling, web handling, manual assembly, electronic assembly, inspection and cycle testing, fully- or semi-automated assembly and integrated systems. We bring you reliable and cost-effective solutions that strategically enhance ease-of-use, cleaning and maintenance procedures.

Decrease product failure rates, improve quality and safety, and save on labor costs. We can even help you with process analysis before, and training and user manual development after.

At Solid, we help you – make it right!



a SOLID process

brainstorming

All enhancement opportunities are realized while bringing the Solid team together for project review, design definition and conceptual feature ideation sessions

integration

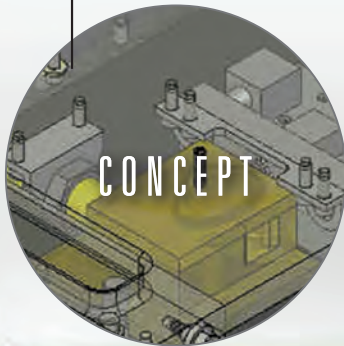
Refinement of concepts, components, mechatronics into virtual prototypes and engineering drawings

reality

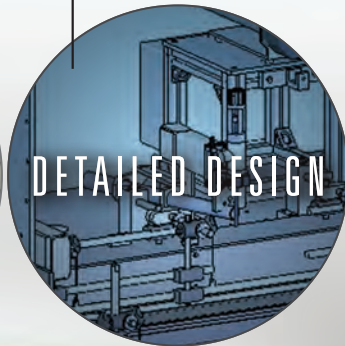
Fully integrate all designed components to maximize efficiency of your processes and reach production goals.

support

Make it right with Solid's expertise



CONCEPT



DETAILED DESIGN



BUILD/TEST



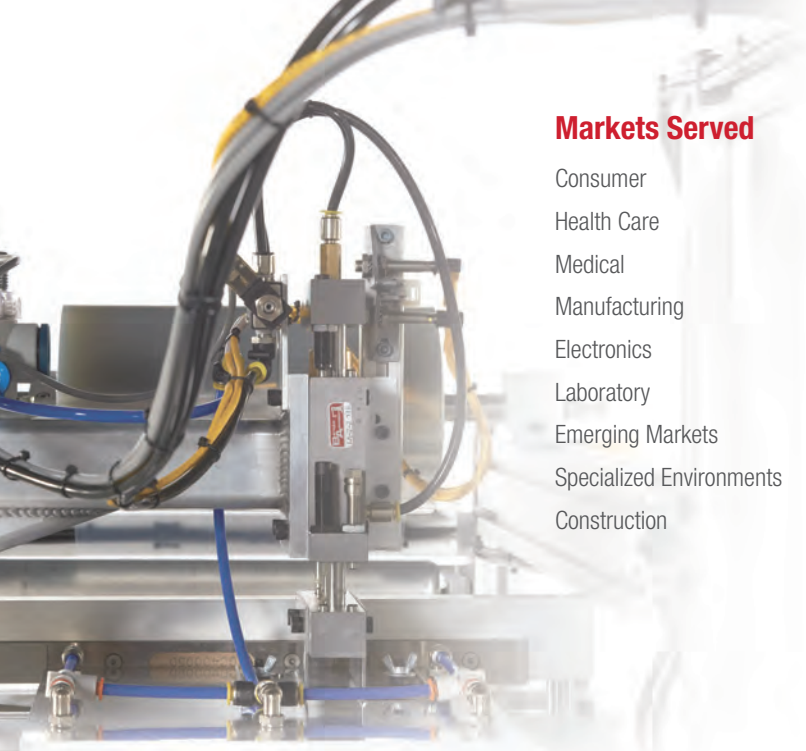
INSTALLATION



It's time to make it right

Call 877.786.7701 today and find out how.

www.soliddesignsolutions.com



Markets Served

- Consumer
- Health Care
- Medical
- Manufacturing
- Electronics
- Laboratory
- Emerging Markets
- Specialized Environments
- Construction

Disciplines

- Industrial Design
- Industrial Engineering
- Mechanical Engineering
- Electrical Engineering
- Software Engineering
- Project Management
- Electromechanical Integration
- Human Factors
- Process Development
- Reverse Engineering
- Manufacturing Engineering



SDVOSB | D&B - 080297186 | CAGE - 4MT53

- 333999 – General Purpose Machinery Manufacturing
- 541330 – Electrical/Mechanical/Industrial Eng. Services
- 541511 – Custom Computer Programming Services
- 541512 – Computer Systems Design Services
- 541613 – New Product Development Consulting Services



8400 Coral Sea Street NE, Suite 1800
Mounds View, MN 55112

3823 East Harry Street
Wichita, KS 67218

toll-free: 877.786.7701
tel: 763.786.7770
fax: 763.780.1541



www.soliddesignsolutions.com