

R A P I D M A C H I N I N G

make it fast!

Solid now offers **Rapid Machining** for low-quantity quick-turn requirements.

Solid's new Rapid Machining service is a perfect complement to Solid's product development, machine design, and testing capabilities, and is also offered as a stand-alone service.

- Realize your design quickly — in the real production material
- Quickly assemble and test your design against functional requirements
- Meet your tight development deadlines

www.soliddesignsolutions.com

Iterate product designs
Learn faster
Reduce time to market

Solid

design solutions



Machine envelope

X – 39.3"

Y – 24"

Z – 25.5"

Real materials, real parts, real assemblies—really fast!

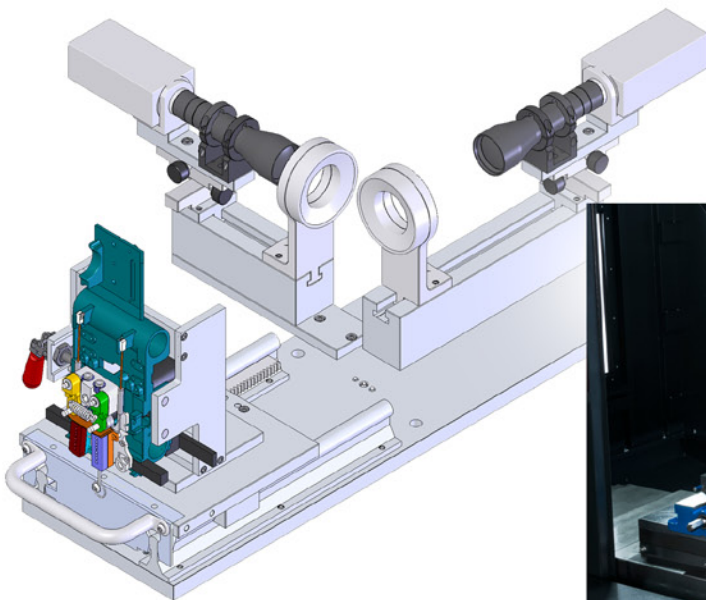
- Test multiple options for a component
- Parts can be created from virtually any material
- Create assemblies quickly and perform cycle testing
- Obtain user feedback as early as possible in the design process
- Identify potential manufacturing processes and materials

Real-world testing

- We'll assemble your parts for you
- We'll cycle-test your assemblies or arrange for complete environmental testing
- Test different material options head-to-head
- Confirm fit, function, strength and reliability of your design
- Supporting Rapid Engineering
- Test to identify ergonomic issues and appropriate anthropometrics
- Review design performance in field testing quickly
- Create multiple iterations quickly to know what works and what doesn't
- Facilitate concepts, ideation and development

Real help with your designs

- Solid can make your parts using your own files:
 - IGES
 - STEP
 - STL
 - SolidWorks
 - Pro/E
 - Inventor
- Solid can create the files for you from your supplied sketch
- We'll be happy to provide
 - Design assistance
 - Finishing
 - Assembly
 - Functional testing



8400 Coral Sea Street NE, Suite 1800
Mounds View, MN 55112
toll-free: 877.786.7701
tel: 763.786.7770
fax: 763.780.1541



www.soliddesignsolutions.com